

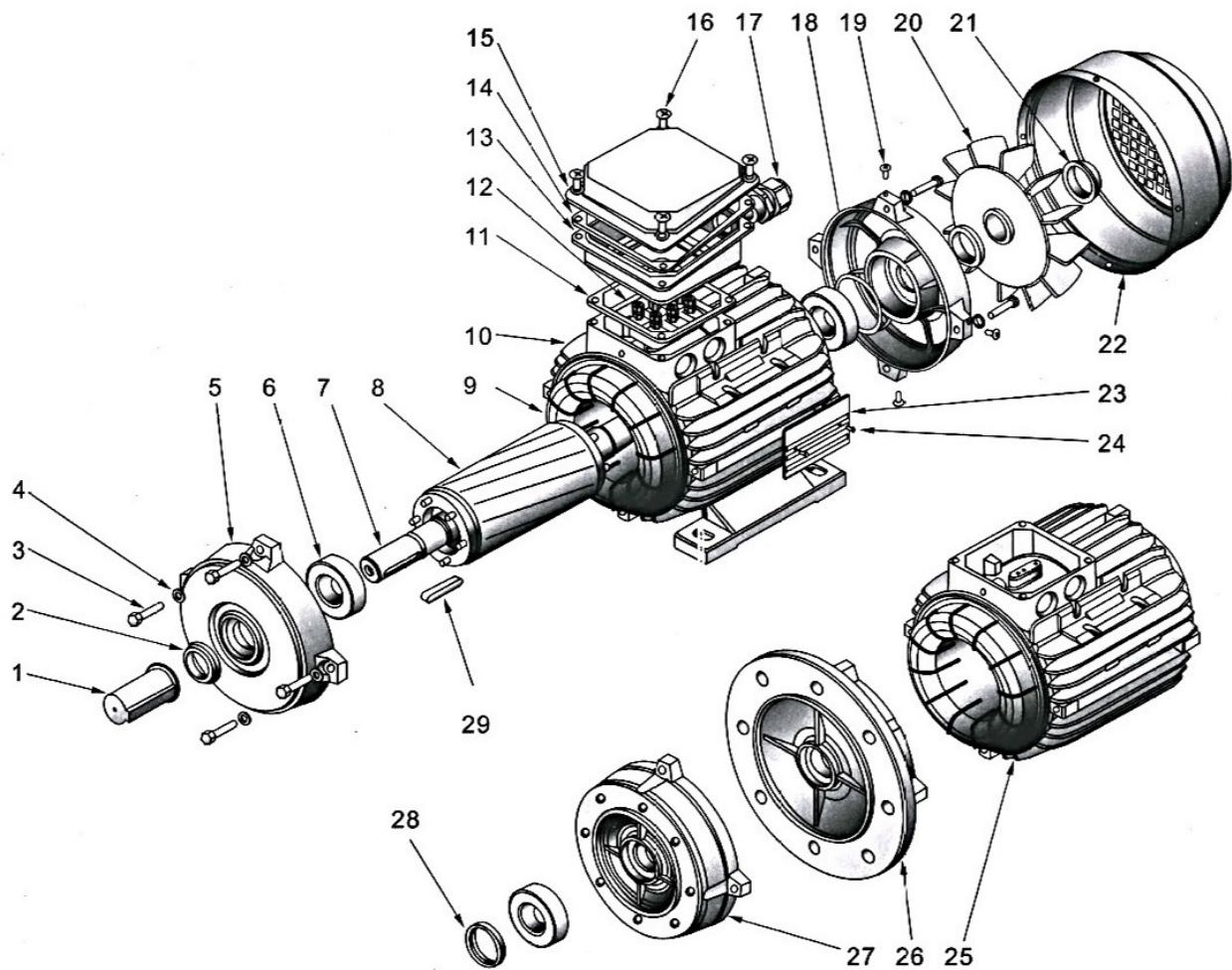


**STANDARD RANGE**

THREE PHASE INDUCTION MOTORS



# Motor Compartments



1. Shaft cover
2. V-ring
3. Motor clamping screws
4. Spring ring
5. Shield
6. Bearing
7. Motor shaft
8. Rotor
9. Wound stator
10. Motor casing

11. IP 5 gasket
12. Terminal block box—base
13. Terminal block box— cover
14. IP 65 gasket
15. Cable inlet bush
16. Compensation ring
17. Fan cover tightening screw
18. Shield
19. Ring for fan tightening
20. PVC fan

21. V-ring
22. Fan cover
23. Motor identification plate
24. Identification plate tightening screws
25. Wound stator
26. B5 flange
27. B14 flange
28. Sealing ring
29. Shaft key

# Motor Standards

Title	IEC Standard	Chinese Standard
Rotating electrical machines-Part 1: Rating and performance.	IEC 60034-1	GB 755
Rotating electrical machines-Part 2-1: Standard methods for determining losses and efficiency from tests (excluding machines for traction vehicles).	IEC 60034-2	GB/T 1032
Rotating electrical machines-Part 5: Degrees of protection provided by the integral design of rotating electrical machines (IP code) - Classification.	IEC 60034-5	GB/T 4942.1
Rotating electrical machines-Part 6: Methods of cooling (IC Code).	IEC 60034-6	GB/T 1993
Rotating electrical machines-Part 7: Classification of types of construction, mounting arrangements and terminal box position (IM Code).	IEC 60034-7	GB/T 997
Rotating electrical machines-Part 8: Terminal markings and direction of rotation.	IEC 60034-8	GB/T 1971
Rotating electrical machines-Part 9: Noise limits.	IEC 60034-9	GB 10069.3
Rotating electrical machines-Part 14: Mechanical vibration of certain machines with shaft heights 56 mm and higher—measurement, evaluation and limits of vibration severity.	IEC 60034-14	GB 10068
Rotating electrical machines-Part 1: Frame numbers 56 to 400 and flange numbers 55 to 1080.	IEC 60072-1	GB/T 4772.1
Safety requirements of small and medium size rotating electrical machines.	N/A	GB 14711
Electrical insulation—Thermal classification.	IEC 60085	GB/T 11021
Classification of environmental conditions Part 2-1: Environmental conditions appearing in nature—Temperature and humidity.	IEC 60721-2-1	GB/T 4797.1
Standard voltages	IEC 60038	GB/T 156
Noise Level testing method	ISO1680: 1999MOD	GB/T 10069.1

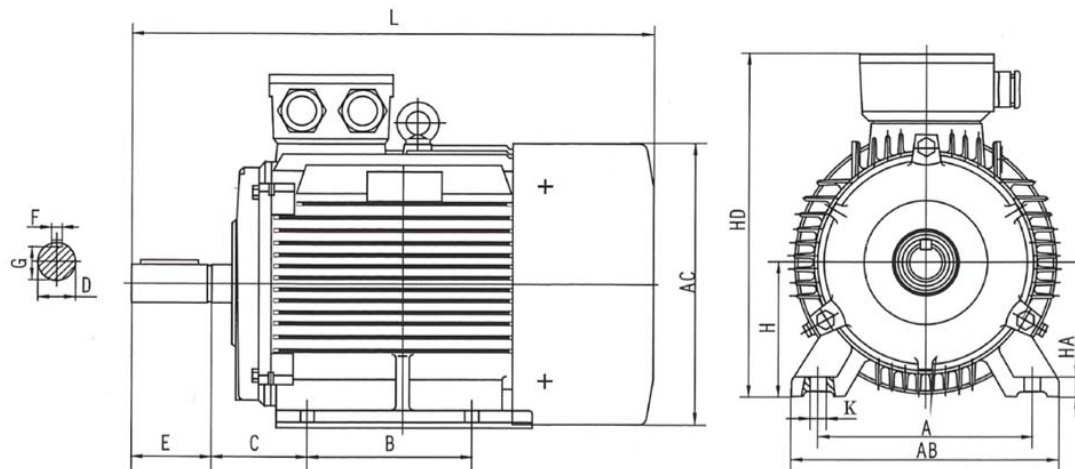
# IE 1 | Technical Data

## 2 Pole | 2900 rpm | 50 Hz

Type	Output (kW)	Voltage (V)	Current (A)	Speed (r/min)	Efficiency (%)	Power Factor COS $\Phi$	Starting Torque / Rated Torque	Max Torque / Rated Torque	Starting Current / Rated Current	Noise (dB)	Weight (kg)
631-2	0.18	380	0.53	2730	65.0	0.80	2.2	2.2	5.5	61	4.9
632-2	0.25	380	0.69	2730	68.0	0.81	2.2	2.2	5.5	61	5.2
711-2	0.37	380	0.99	2760	70.0	0.81	2.2	2.2	6.1	64	6.7
712-2	0.55	380	1.39	2790	73.0	0.82	2.2	2.3	6.1	64	7.6
801-2	0.75	380	1.83	2850	75.0	0.83	2.2	2.3	6.1	67	10.7
802-2	1.1	380	2.58	2840	77.0	0.84	2.2	2.3	7.0	67	11.5
90S-2	1.5	380	3.43	2840	79.0	0.84	2.2	2.3	7.0	72	16
90L-2	2.2	380	4.85	2840	81.0	0.85	2.2	2.3	7.0	72	19
100-2	3.0	380	6.31	2860	83.0	0.87	2.2	2.3	7.5	76	25
112M-2	4.0	380	8.12	2880	85.0	0.88	2.2	2.3	7.5	77	32
132S1-2	5.5	380	11.00	2910	86.0	0.88	2.2	2.3	7.5	80	52
132S2-2	7.5	380	14.90	2910	87.0	0.88	2.2	2.3	7.5	80	57
160M1-	11	380	21.30	2930	88.0	0.89	2.2	2.3	7.5	86	81
160M2-	15	380	28.80	2930	89.0	0.89	2.2	2.3	7.5	86	118
160L-2	18.5	380	34.70	2930	90.0	0.90	2.0	2.3	7.5	86	134
180M-2	22	380	41.00	2950	90.0	0.90	2.0	2.3	7.5	89	165
200L1-2	30	380	55.5	2950	91.2	0.90	2.0	2.3	7.5	92	195
200L2-2	37	380	67.9	2950	92.0	0.90	2.0	2.3	7.5	92	255
225M-2	45	380	82.3	2960	92.3	0.90	2.0	2.3	7.5	92	290
250M-2	55	380	100.4	2970	92.5	0.90	2.0	2.3	7.5	93	360
280S-2	75	380	134.4	2970	93.0	0.90	2.0	2.3	7.5	94	490
280M-2	90	380	160.2	2970	93.8	0.91	2.0	2.3	7.5	94	510
315S-2	110	380	195.4	2980	94.0	0.91	1.8	2.2	7.1	96	720
315M-2	132	380	233.2	2980	94.5	0.91	1.8	2.2	7.1	96	800
315L1-2	160	380	279.4	2980	94.6	0.92	1.8	2.2	7.1	99	900
315L2-2	200	380	348.4	2970	94.8	0.92	1.8	2.2	7.1	99	1160
355M-2	250	380	433.0	2980	95.3	0.92	1.6	2.2	7.1	103	1650
355L-2	315	380	544.0	2980	95.6	0.92	1.6	2.2	7.1	103	1790

# Mounting and Overall Dimensions

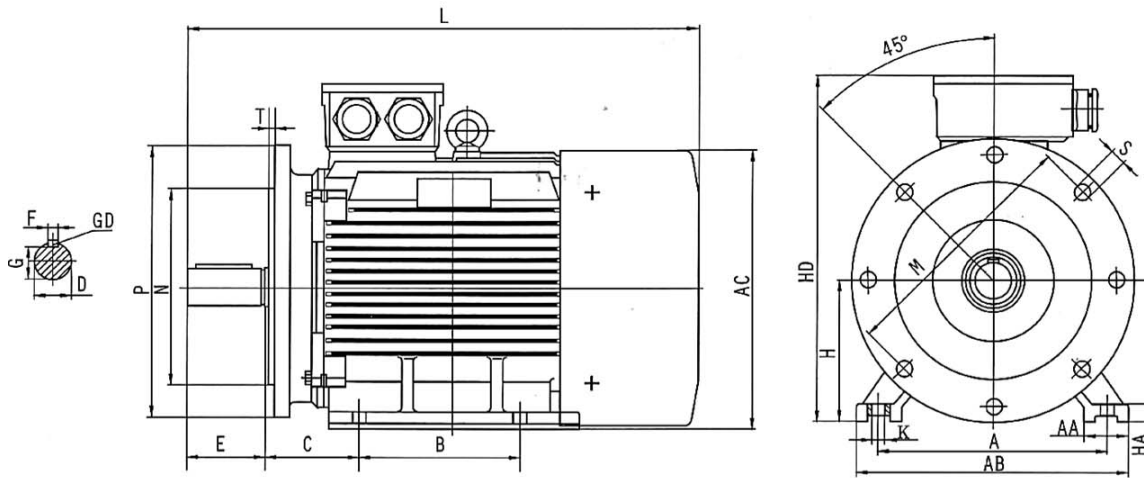
## IE 1 | Mounting Type B3



Type	Poles	Dimensions (mm)												
		A	B	C	D	E	F	G	H	K	AB	AC	HD	L
63	2,4	100	80	40	11	23	4	8.5	63	7	135	130	180	230
71	2,4,6	112	90	45	14	30	5	11	71	7	150	145	195	255
80	2,4,6,8	123	100	50	19	40	6	15.5	80	10	165	175	220	295
90S	2,4,6,8	140	100	56	24	50	8	20	90	10	180	195	250	320
90L	2,4,6,8	140	125	56	24	50	8	20	90	10	180	195	250	345
100L	2,4,6,8	160	140	63	28	60	8	24	100	12	205	215	270	385
112M	2,4,6,8	190	140	70	28	60	8	24	112	12	230	240	300	400
132S	2,4,6,8	216	140	89	38	80	10	33	132	12	270	275	345	470
132M	2,4,6,8	216	178	89	38	80	10	33	132	12	270	275	345	510
160M	2,4,6,8	254	210	108	42	110	12	37	160	15	320	330	420	615
160L	2,4,6,8	254	254	108	42	110	12	37	160	15	320	330	420	670
180M	2,4,6,8	279	241	121	48	110	14	42.5	180	15	355	380	455	700
180L	2,4,6,8	279	279	121	48	110	14	42.5	180	15	355	380	455	740
200L	2,4,6,8	318	305	133	55	110	16	49	200	19	395	420	505	770
225S	4,8	356	286	149	60	140	18	53	225	19	435	470	560	815
225M	2	356	311	149	55	110	16	49	225	19	435	470	560	820
225M	4,6,8	356	311	149	60	140	18	53	225	19	435	470	560	845
250M	2	406	349	168	60	140	18	53	250	24	490	510	615	910
250M	4,6,8	406	349	168	65	140	18	58	250	24	490	510	615	910
280S	2	457	368	190	65	140	18	58	280	24	550	580	680	985
280S	4,6,8	457	368	190	75	140	20	67.5	280	24	550	580	680	985
280M	2	457	419	190	65	140	18	58	280	24	550	580	680	1035
280M	4,6,8	457	419	190	75	140	20	67.5	280	24	550	580	680	1035
315S	2	508	406	216	65	140	18	58	315	28	635	645	845	1160
315S	4,6,8,10	508	406	216	80	170	22	71	315	28	635	645	845	1270
315M	2	508	457	216	65	140	18	58	315	28	635	645	845	1190
315M	4,6,8,10	508	457	216	80	170	22	71	315	28	635	645	845	1300
315L	2	508	508	216	65	140	18	58	315	28	635	645	845	1190
315L	4,6,8,10	508	508	216	80	170	22	71	315	28	635	645	845	1300
355M	2	610	560	254	75	140	20	67.5	355	28	730	710	1010	1500
355M	4,6,8,10	610	560	254	95	170	25	86	355	28	730	710	1010	1530
355L	2	610	630	254	75	140	20	67.5	355	28	730	710	1010	1500
355L	4,6,8,10	610	630	254	95	170	25	86	355	28	730	710	1010	1530

# Mounting and Overall Dimensions

## IE 1 | Mounting Type B5

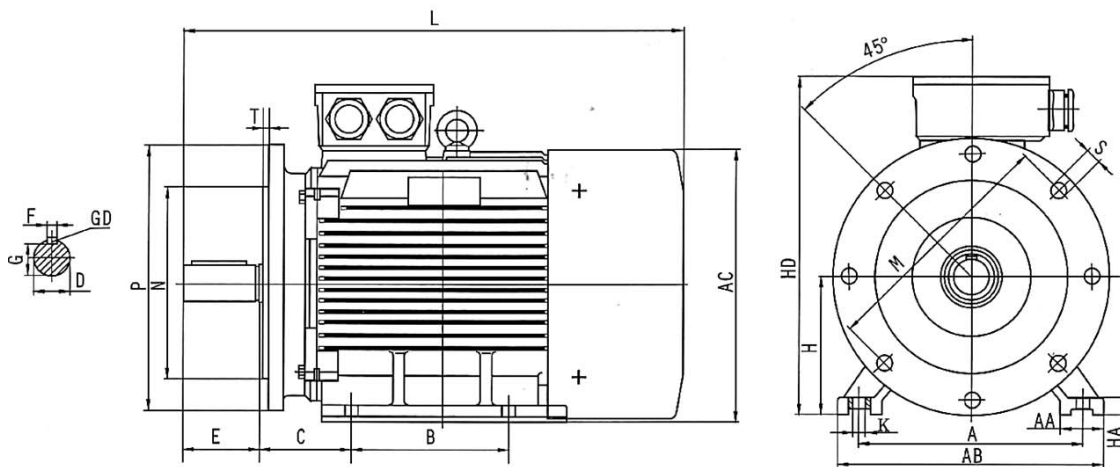


Type	Poles	Dimensions (mm)											
		D	E	F	G	M	N	P	S	T	AC	AD	L
63	2,4	11	23	4	8.5	115	95	140	4-Ø10	3	130	70	230
71	2,4,6	14	30	5	11	130	110	160	4-Ø10	3.5	145	80	255
80	2,4,6,8	19	40	6	15.5	165	130	200	4-Ø12	3.5	175	145	295
90S	2,4,6,8	24	50	8	20	165	130	200	4-Ø12	3.5	195	155	320
90L	2,4,6,8	24	50	8	20	165	130	200	4-Ø12	3.5	195	155	345
100L	2,4,6,8	28	60	8	24	215	180	250	4-Ø15	4	215	180	385
112M	2,4,6,8	28	60	8	24	215	180	250	4-Ø15	4	240	190	400
132S	2,4,6,8	38	80	10	33	265	230	300	4-Ø15	4	275	210	470
132M	2,4,6,8	38	80	10	33	265	230	300	4-Ø15	4	275	210	510
160M	2,4,6,8	42	110	12	37	300	250	350	4-Ø19	5	330	255	615
160L	2,4,6,8	42	110	12	37	300	250	350	4-Ø19	5	330	255	670
180M	2,4,6,8	48	110	14	42.5	300	250	350	4-Ø19	5	380	280	700
180L	2,4,6,8	48	110	14	42.5	300	250	350	4-Ø19	5	380	280	740
200L	2,4,6,8	55	110	16	49	350	300	400	4-Ø19	5	420	305	770
225S	4,8	60	140	18	53	400	350	450	8-Ø19	5	470	335	815
225M	2	55	110	16	49	400	350	450	8-Ø19	5	470	335	820
225M	4,6,8	60	140	18	53	400	350	450	8-Ø19	5	470	335	845
250M	2	60	140	18	53	500	450	550	8-Ø19	5	510	370	910
250M	4,6,8	65	140	18	58	500	450	550	8-Ø19	5	510	370	910
280S	2	65	140	18	58	500	450	550	8-Ø19	5	580	410	985
280S	4,6,8	75	140	20	67.5	500	450	550	8-Ø19	5	580	410	985
280M	2	65	140	18	58	500	450	550	8-Ø19	5	580	410	1035
280M	4,6,8	75	140	20	67.5	500	450	550	8-Ø19	5	580	410	1035
315S	2	65	140	18	58	600	550	660	8-Ø24	6	645	530	1160
315S	4,6,8,10	80	170	22	71	600	550	660	8-Ø24	6	645	530	1270
315M	2	65	140	18	58	600	550	660	8-Ø24	6	645	530	1190
315M	4,6,8,10	80	170	22	71	600	550	660	8-Ø24	6	645	530	1300
315L	2	65	140	18	58	600	550	660	8-Ø24	6	645	530	1190
315L	4,6,8,10	80	170	22	71	600	550	660	8-Ø24	6	645	530	1300
355M	2	75	140	20	67.5	740	680	800	8-Ø24	6	710	655	1500
355M	4,6,8,10	95	170	25	86	740	680	800	8-Ø24	6	710	655	1530
355L	2	75	140	20	67.5	740	680	800	8-Ø24	6	710	655	1500
355L	4,6,8,10	95	170	25	86	740	680	800	8-Ø24	6	710	655	1530



# Mounting and Overall Dimensions

## IE 1 | Mounting Type B35



Type	Poles	Dimensions (mm)																	
		A	B	C	D	E	F	G	H	K	M	N	P	S	T	AB	AC	HD	L
63	2,4	100	80	40	11	23	4	8.5	63	7	115	95	140	4-Ø10	3	135	130	180	230
71	2,4,6	112	90	45	14	30	5	11	71	7	130	110	160	4-Ø10	3.5	150	145	195	255
80	2,4,6,8	123	100	50	19	40	6	15.5	80	10	165	130	200	4-Ø12	3.5	165	175	220	295
90S	2,4,6,8	140	100	56	24	50	8	20	90	10	165	130	200	4-Ø12	3.5	180	195	250	320
90L	2,4,6,8	140	125	56	24	50	8	20	90	10	165	130	200	4-Ø12	3.5	180	195	250	345
100L	2,4,6,8	160	140	63	28	60	8	24	100	12	215	180	250	4-Ø15	4	205	215	270	385
112M	2,4,6,8	190	140	70	28	60	8	24	112	12	215	180	250	4-Ø15	4	230	240	300	400
132S	2,4,6,8	216	140	89	38	80	10	33	132	12	265	230	300	4-Ø15	4	270	275	345	470
132M	2,4,6,8	216	178	89	38	80	10	33	132	12	265	230	300	4-Ø15	4	270	275	345	510
160M	2,4,6,8	254	210	108	42	110	12	37	160	15	300	250	350	4-Ø19	5	320	330	420	615
160L	2,4,6,8	254	254	108	42	110	12	37	160	15	300	250	350	4-Ø19	5	320	330	420	670
180M	2,4,6,8	279	241	121	48	110	14	42.5	180	15	300	250	350	4-Ø19	5	355	380	455	700
180L	2,4,6,8	279	279	121	48	110	14	42.5	180	15	300	250	350	4-Ø19	5	355	380	455	740
200L	2,4,6,8	318	305	133	55	110	16	49	200	19	350	300	400	4-Ø19	5	395	420	505	770
225S	4,8	356	286	149	60	140	18	53	225	19	400	350	450	8-Ø19	5	435	470	560	815
225M	2	356	311	149	55	110	16	49	225	19	400	350	450	8-Ø19	5	435	470	560	820
225M	4,6,8	356	311	149	60	140	18	53	225	19	400	350	450	8-Ø19	5	435	470	560	845
250M	2	406	349	168	60	140	18	53	250	24	500	450	550	8-Ø19	5	490	510	615	910
250M	4,6,8	406	349	168	65	140	18	58	250	24	500	450	550	8-Ø19	5	490	510	615	910
280S	2	457	368	190	65	140	18	58	280	24	500	450	550	8-Ø19	5	550	580	680	985
280S	4,6,8	457	368	190	75	140	20	67.5	280	24	500	450	550	8-Ø19	5	550	580	680	985
280M	2	457	419	190	65	140	18	58	280	24	500	450	550	8-Ø19	5	550	580	680	1035
280M	4,6,8	457	419	190	75	140	20	67.5	280	24	500	450	550	8-Ø19	5	550	580	680	1035
315S	2	508	406	216	65	140	18	58	315	28	600	550	660	8-Ø24	6	635	645	845	1160
315S	4,6,8,10	508	406	216	80	170	22	71	315	28	600	550	660	8-Ø24	6	635	645	845	1270
315M	2	508	457	216	65	140	18	58	315	28	600	550	660	8-Ø24	6	635	645	845	1190
315M	4,6,8,10	508	457	216	80	170	22	71	315	28	600	550	660	8-Ø24	6	635	645	845	1300
315L	2	508	508	216	65	140	18	58	315	28	600	550	660	8-Ø24	6	635	645	845	1190
315L	4,6,8,10	508	508	216	80	170	22	71	315	28	600	550	660	8-Ø24	6	635	645	845	1300
355M	2	610	560	254	75	140	20	67.5	355	28	740	680	800	8-Ø24	6	730	710	1010	1500
355M	4,6,8,10	610	560	254	95	170	25	86	355	28	740	680	800	8-Ø24	6	730	710	1010	1530
355L	2	610	630	254	75	140	20	67.5	355	28	740	680	800	8-Ø24	6	730	710	1010	1500
355L	4,6,8,10	610	630	254	95	170	25	86	355	28	740	680	800	8-Ø24	6	730	710	1010	1530